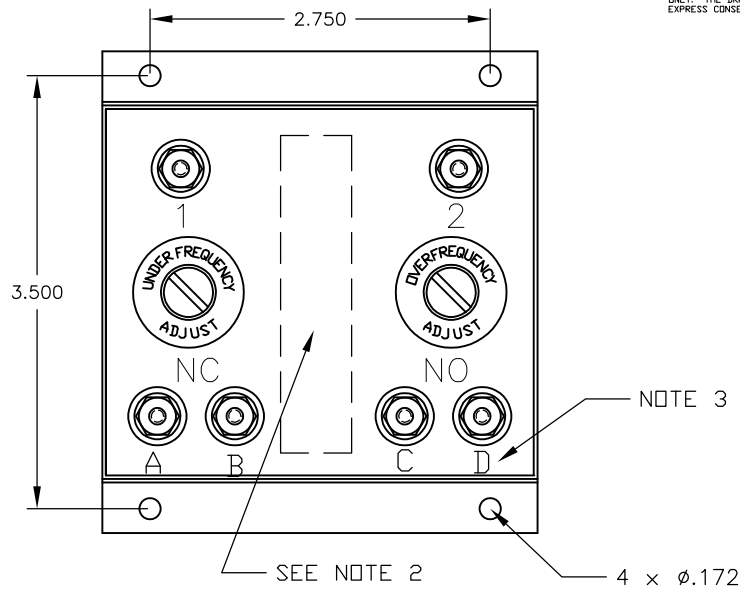
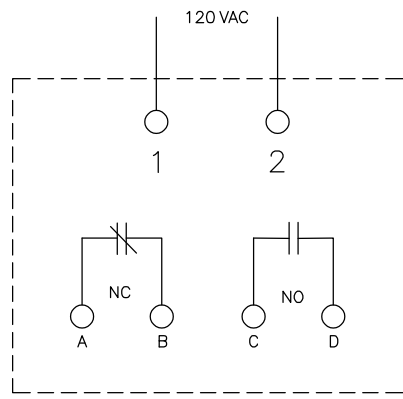


THIS DRAWING AND THE DESIGN IT DISCLOSES ARE THE PROPERTY OF KILDVAC CORP., AND IT IS ISSUED IN CONFIDENCE FOR ENGINEERING INFORMATION ONLY. THE DRAWING AND OR DESIGN MAY NOT BE REPRODUCED, DISCLOSED TO OUTSIDERS OR USED FOR ANY OTHER PURPOSE WITHOUT THE PRIOR EXPRESS CONSENT OF KILDVAC. THE DRAWING IS LOANED FOR MUTUAL ASSISTANCE AND IS SUBJECT TO RECALL AT ANY TIME.



CONNECTIONS



SPECIFICATIONS

- INPUT VOLTAGE : 120VAC  $\pm$ 10%
- NOMINAL FREQUENCY : 60HZ
- TRIP POINT RANGE : UNDERFREQUENCY : 50-60HZ., SCREWDRIVER ADJUSTABLE.  
OVERFREQUENCY : 60-70HZ., SCREWDRIVER ADJUSTABLE.
- DIFFERENTIAL : THE FREQUENCY PICK-UP TO DROP-OUT DIFFERENTIAL AT THE TRIP POINT, IS 1% MAXIMUM.
- OPERATING TEMPERATURE RANGE : -20°C TO +85°C
- TEMPERATURE DRIFT :  $\pm$ 1% MAXIMUM FREQUENCY ERROR OVER THE TEMPERATURE RANGE.
- VOLTAGE DRIFT :  $\pm$ 1% MAXIMUM FREQUENCY ERROR FOR INPUT VOLTAGE OF 120 VAC  $\pm$ 10%
- OUTPUT CONTACTS : ONE SET NORMALLY CLOSED.  
ONE SET NORMALLY OPEN.
- CONTACT RATING : 5 AMP. RESISTIVE AT 120 VAC  
5 AMP RESISTIVE AT 28 VDC
- OPERATION : THE NORMALLY OPEN CONTACTS CLOSE, AND THE N.C CONTACTS OPEN AT NOMINAL FREQUENCY.  
THE CONTACTS DE-ENERGIZE AT UNDERFREQUENCY AND OVERFREQUENCY.

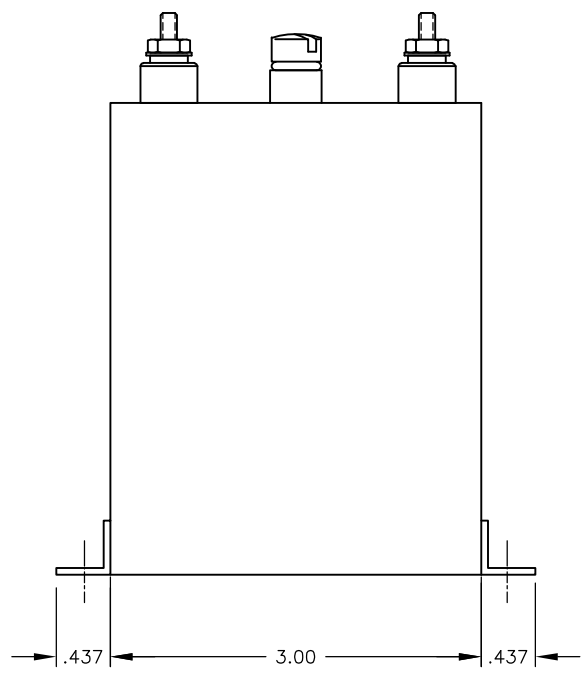
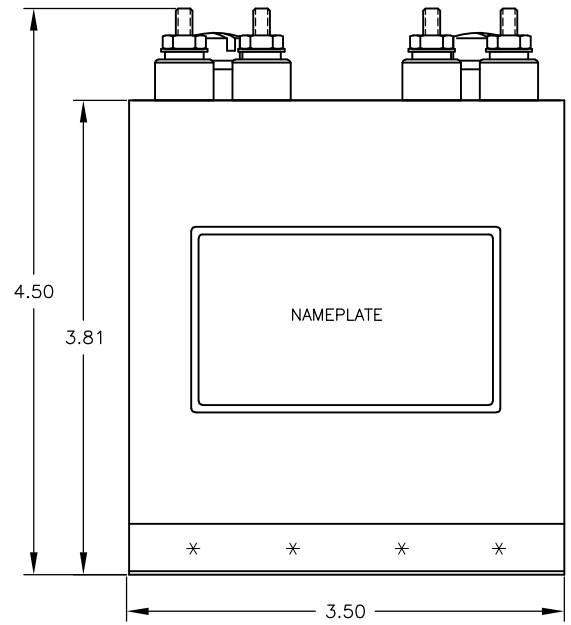
CONSTRUCTION : SOLID STATE SENSOR WITH RELAY OUTPUT ENCLOSED IN A SEALED STEEL CAN WITH PURE TIN PLATING PER MIL-T-10727 TYPE 1.

NOTES:

1. THE FREQUENCY TRIP POINTS ARE FACTORY SET AS SHOWN IN TABLE 1
2. EMD # \_\_\_\_\_ SERIAL NO. AND DATE TO BE STAMPED IN THIS LOCATION.
3. STAMP LETTERS A, B, C, & D IN LOCATIONS SHOWN.
4. REMOVE SCREWS FOR ACCESS TO UNDERFREQUENCY AND OVERFREQUENCY TRIP ADJUSTMENTS.  
CLOCKWISE ROTATION OF THE ADJUSTMENT POTENTIOMETERS WILL RAISE THE TRIP POINTS.
5. CONTACT RESISTANCE IS FACTORY TESTED NOT TO EXCEED 100m $\Omega$  AT 100mA AND 28 VDC

TABLE 1

TE #	WILMAR MODEL NO.	EMD#	UNDER FREQ. TRIP POINT	OVER FREQ. TRIP POINT
2-1618071-3	25-060-7X	9337150	57.4 $\pm$ .6Hz	62.6 $\pm$ .6Hz
2-1618071-0	25-060-22X	10604774	55 $\pm$ .6Hz	65 $\pm$ .6Hz



CD CUSTOMER DRAWING

DRAWING PER ASME/ANSI Y14.5 THIRD ANGLE PROJECTION		550 Linden Ave. Carpinteria, CA US 93013 Internet: www.te.com	
ALL DIMENSIONS ARE IN INCHES UNLESS OTHERWISE SPECIFIED. Block Tolerances are not applied if values are set to zero.			
FRACTIONS DECIMALS ANGLES		TITLE OVER/UNDERFREQUENCY RELAY	
±1/64 .XX = ±.03 ± 1°		ECD No.	REV. A
KILDVAC. NO. 25-060-7X		REDRAW	SD
CAGE CODE 18741		EDITED BY AV	APPROVED BY TN
LEFTV DATE 08-21-12		APRV DATE 08-16-12	
SCALE 1:1		DO NOT SCALE DRAWING SHEET 1 of 1	

REV. JCD/ECO